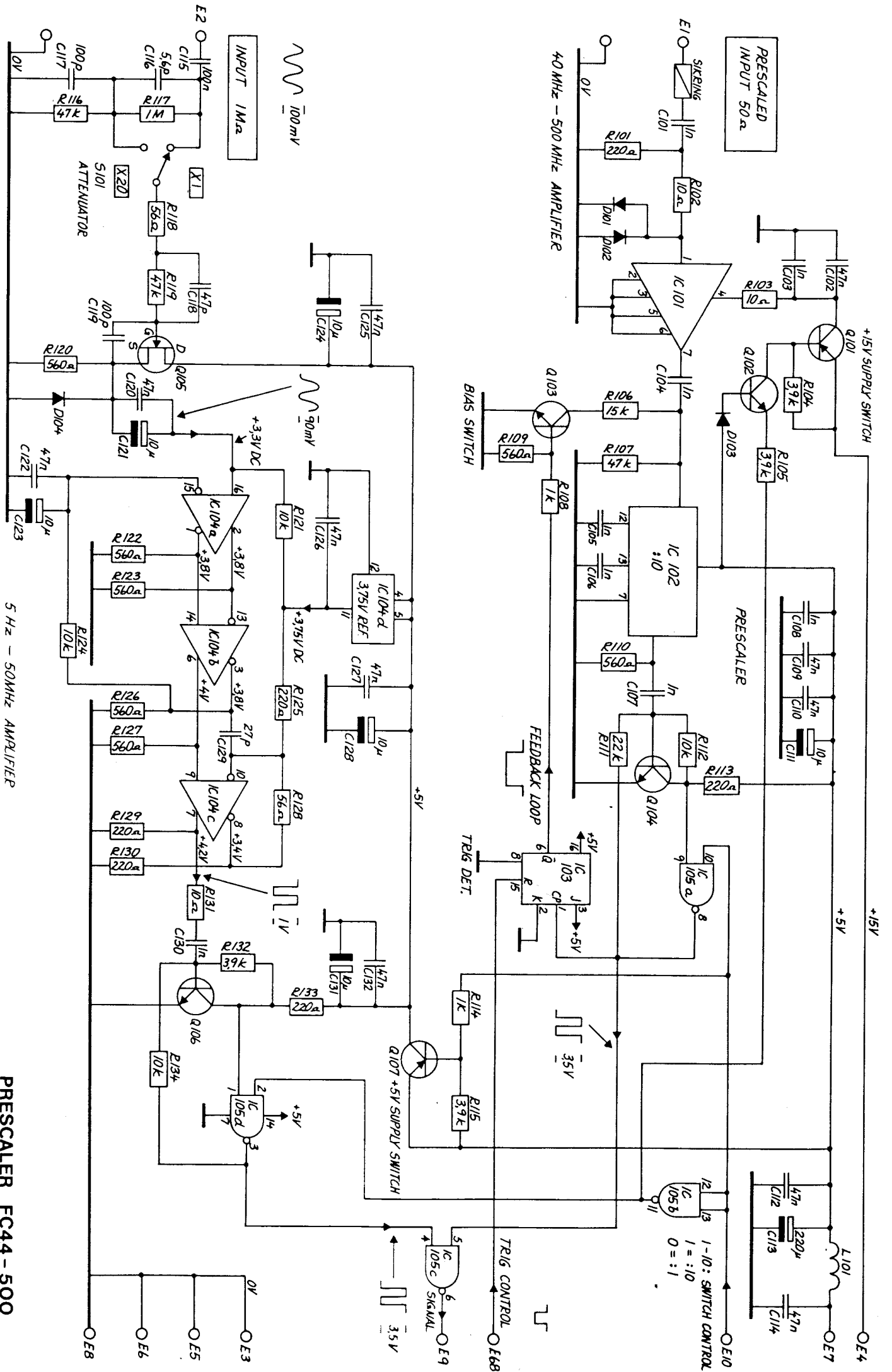
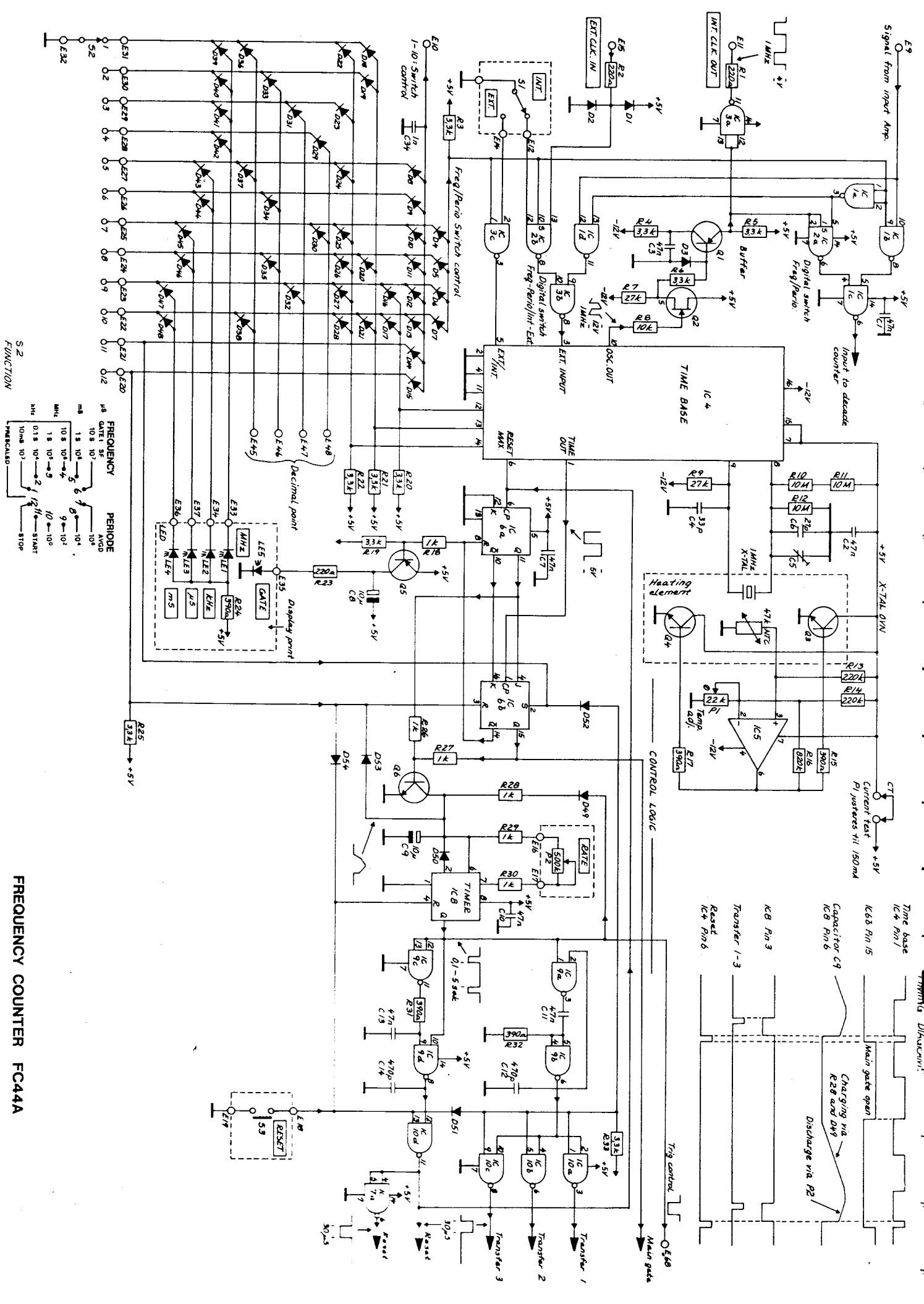


FUNKTIONSDIAGRAM FOR FC 44A - 500



PRESCALER FC44 - 500

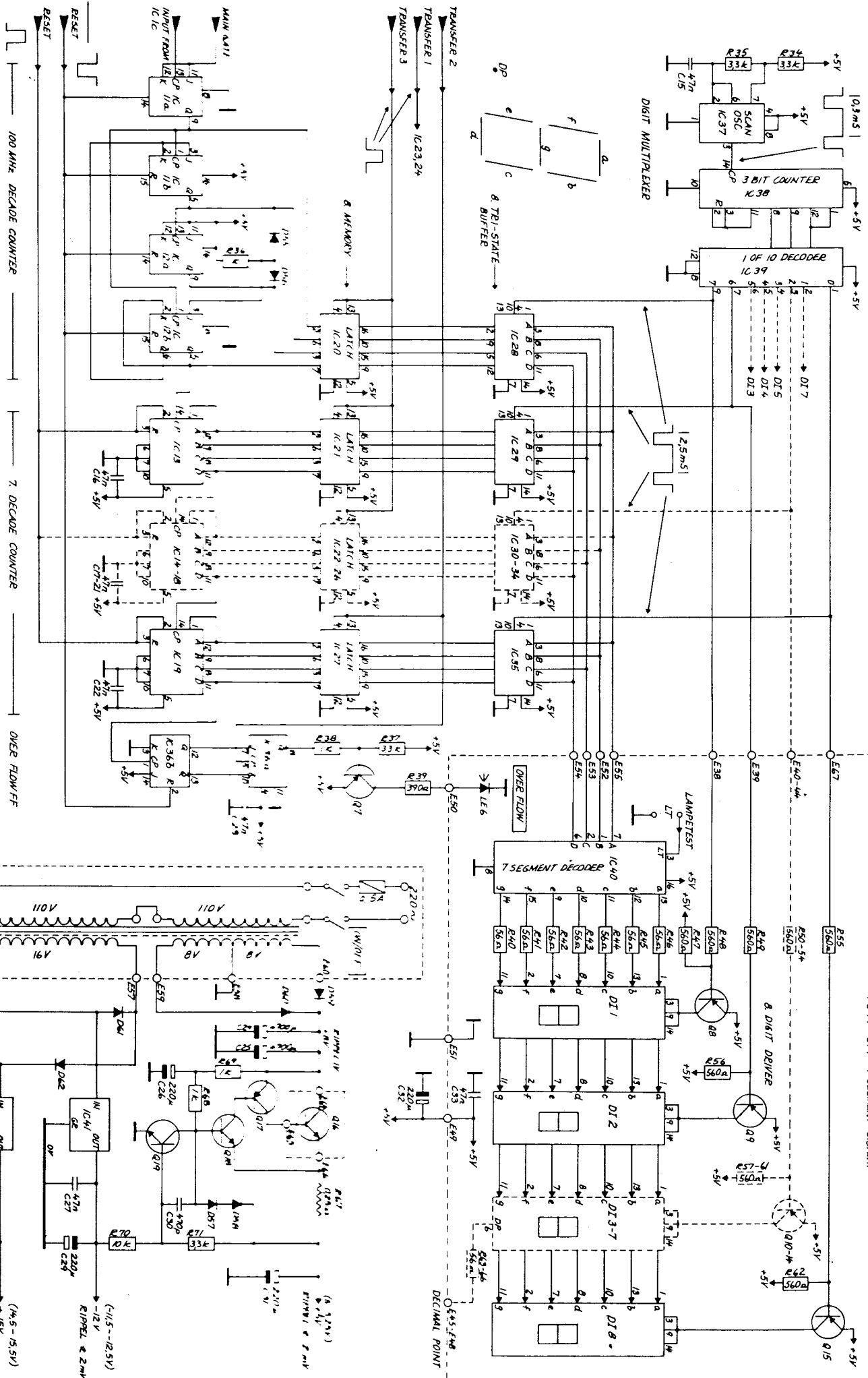


S2
FUNCTION

FREQUENCY	PERIODE
10 ⁸ 10 ⁷	10 ⁻⁸ 10 ⁻⁷
10 ⁶ 10 ⁵	10 ⁻⁶ 10 ⁻⁵
10 ⁴ 10 ³	10 ⁻⁴ 10 ⁻³
10 ² 10 ¹	10 ⁻² 10 ⁻¹
10 ⁰ 10 ⁻¹	10 ⁰ 10 ¹

mHz 18 10⁴ → 5
 kHz 10 10³ → 4
 MHz 18 10² → 3
 MHz 018 10¹ → 2
 MHz 100ms 10¹ → 1
 MHz 10ms 10² → START
 MHz 10ms 10¹ → STOP

FREQUENCY COUNTER FCA44A



FREQUENCY COUNTER FC44A